



SN.

Dr. Jekyll & Mr. Hyde®

THE EXHAUST

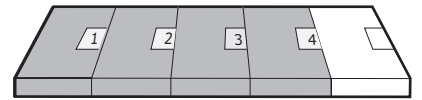
MANUAL : BMW® | SMARTBOX 2

NEW IN THIS MANUAL:
- UPDATED EXHAUST ALIGNMENT



R18B/Transcontinental
2021->

1 BMW R18B/Transcontinental Smartbox 2



1 Assembly Kit

- PC 2x
- BR 1x
- W1 11x
- B1 1x
- B2 8x
- TR 16x
- N1 8x
- B3 4x
- W2 4x

2 Smartbox 2

3 Mode Switch for Smartbox

4 Smartbox Control Cable

Exhaust/Cable /Servo System

2 OEM components may vary per R18 model

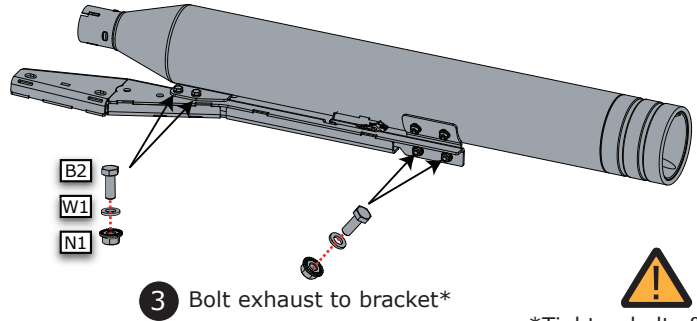
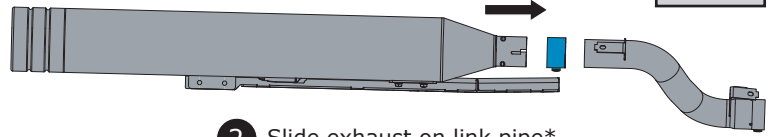
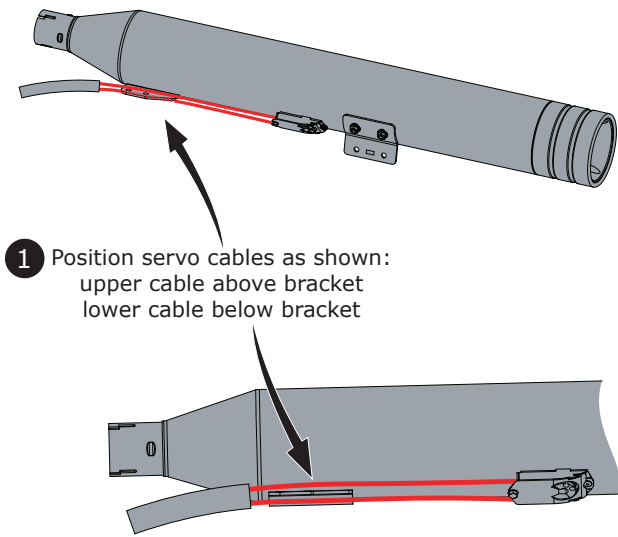
3

Install bracket left & right

Install link pipe left & right

4

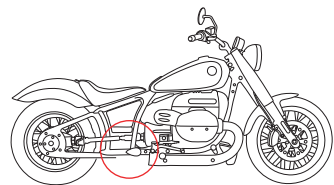
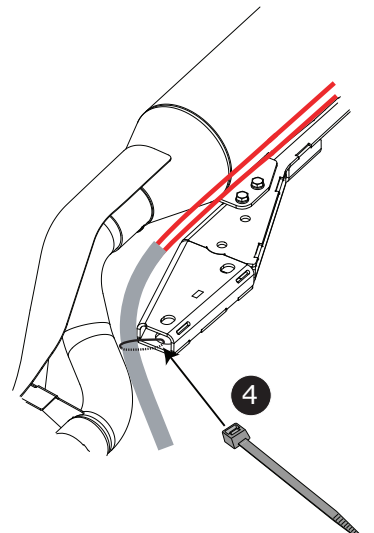
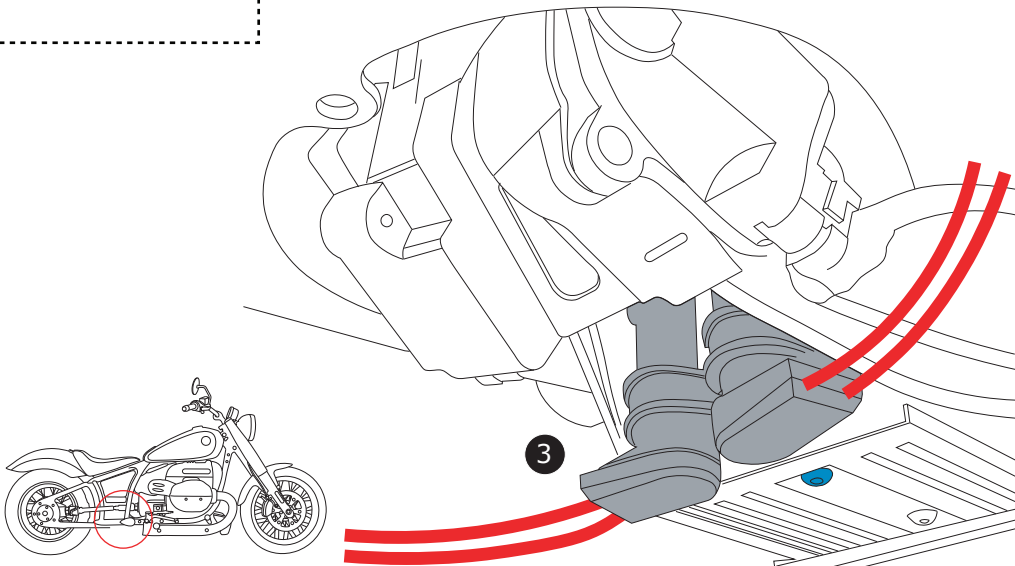
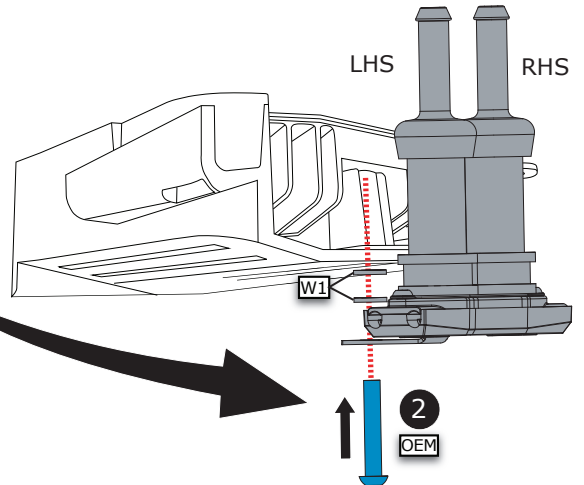
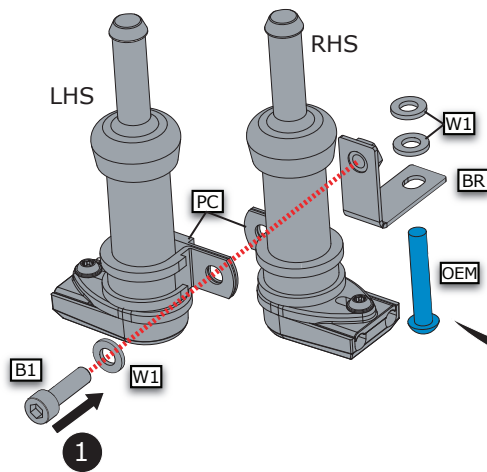
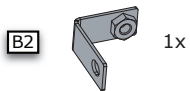
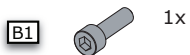
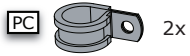
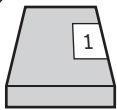
Install exhausts left & right



*Tighten bolts & clamps at step 7

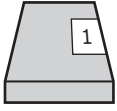
5

Servo motor positioning

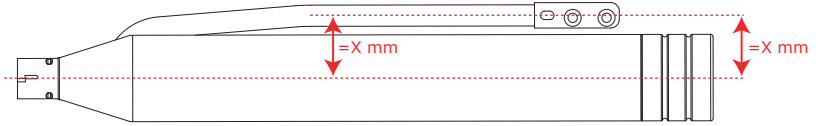
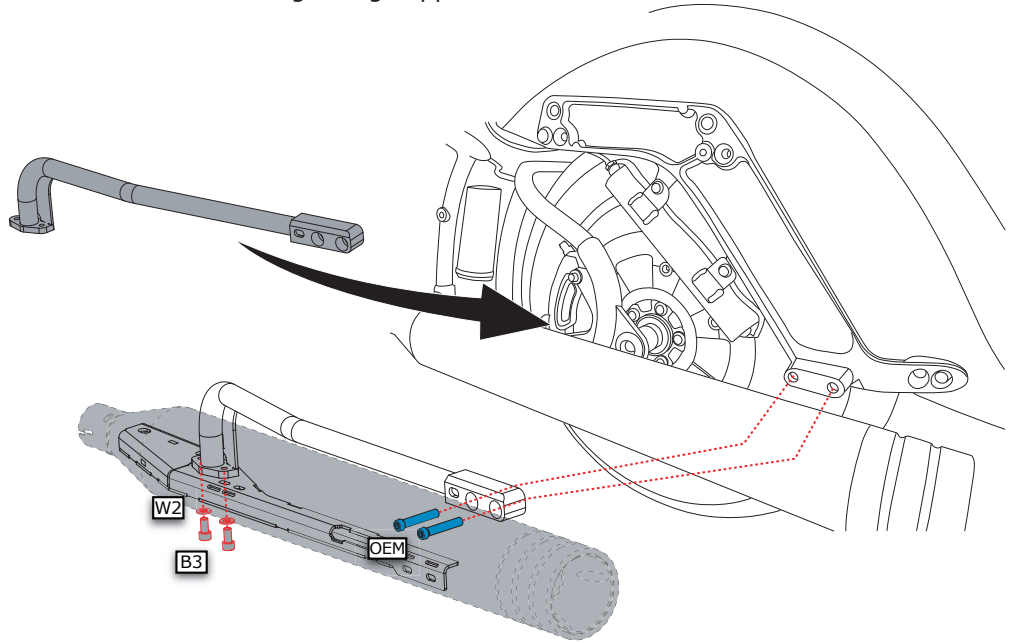
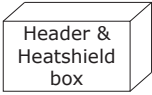


6

Install left & right bag support bracket



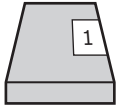
+



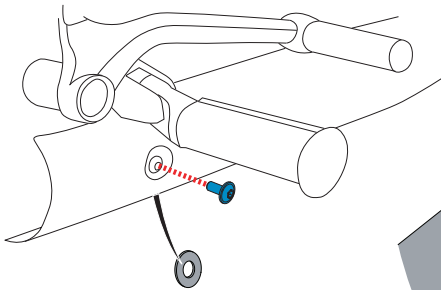
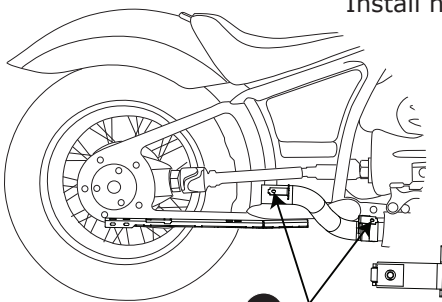
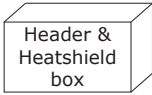
Align exhaust & bracket parallel relative to each other

7

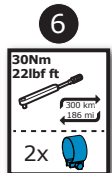
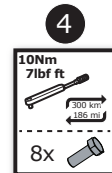
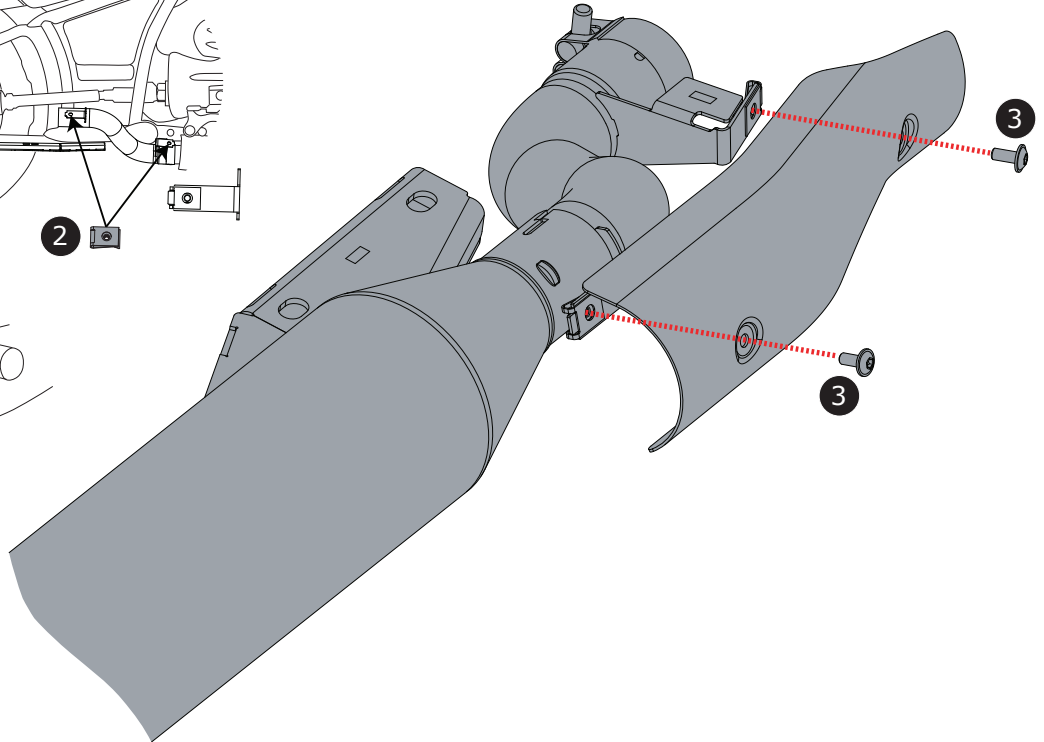
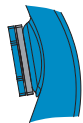
Install heat shields left & right



+

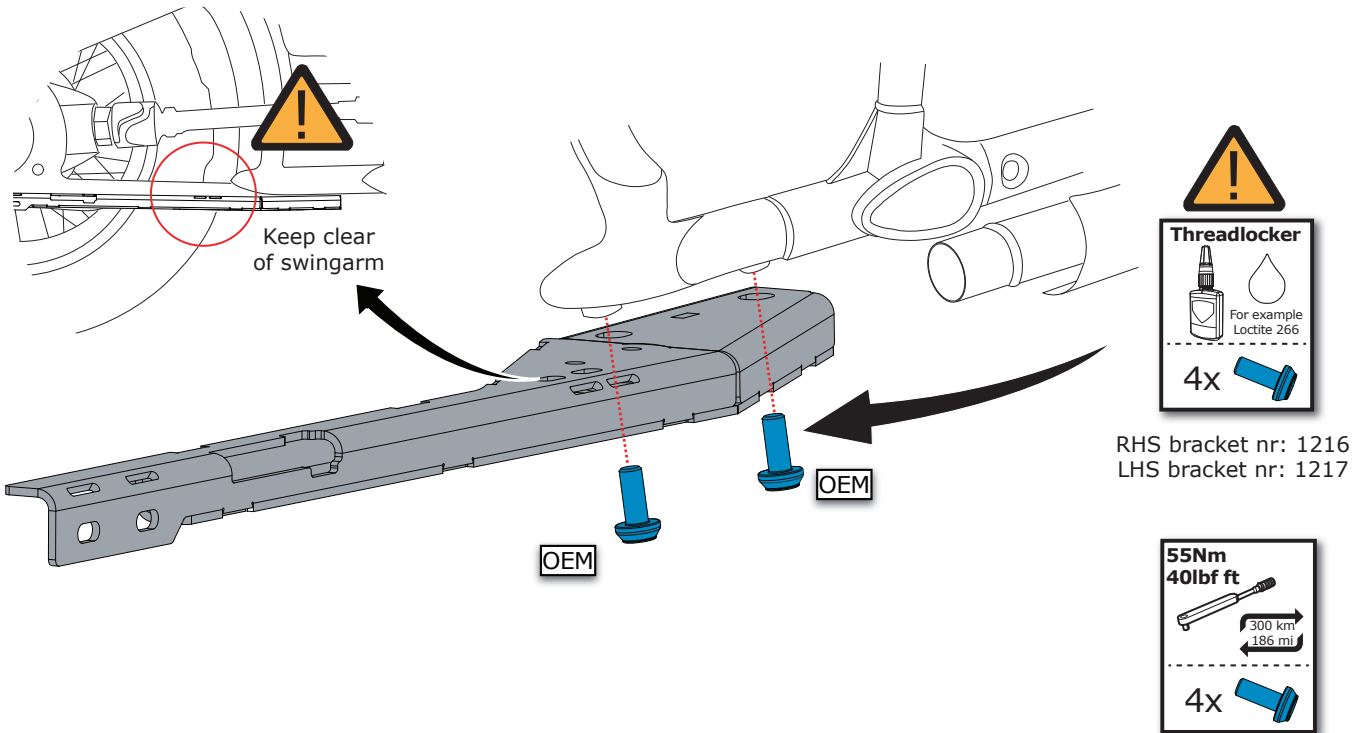


1 place thick washer behind OEM heatshield to improve position



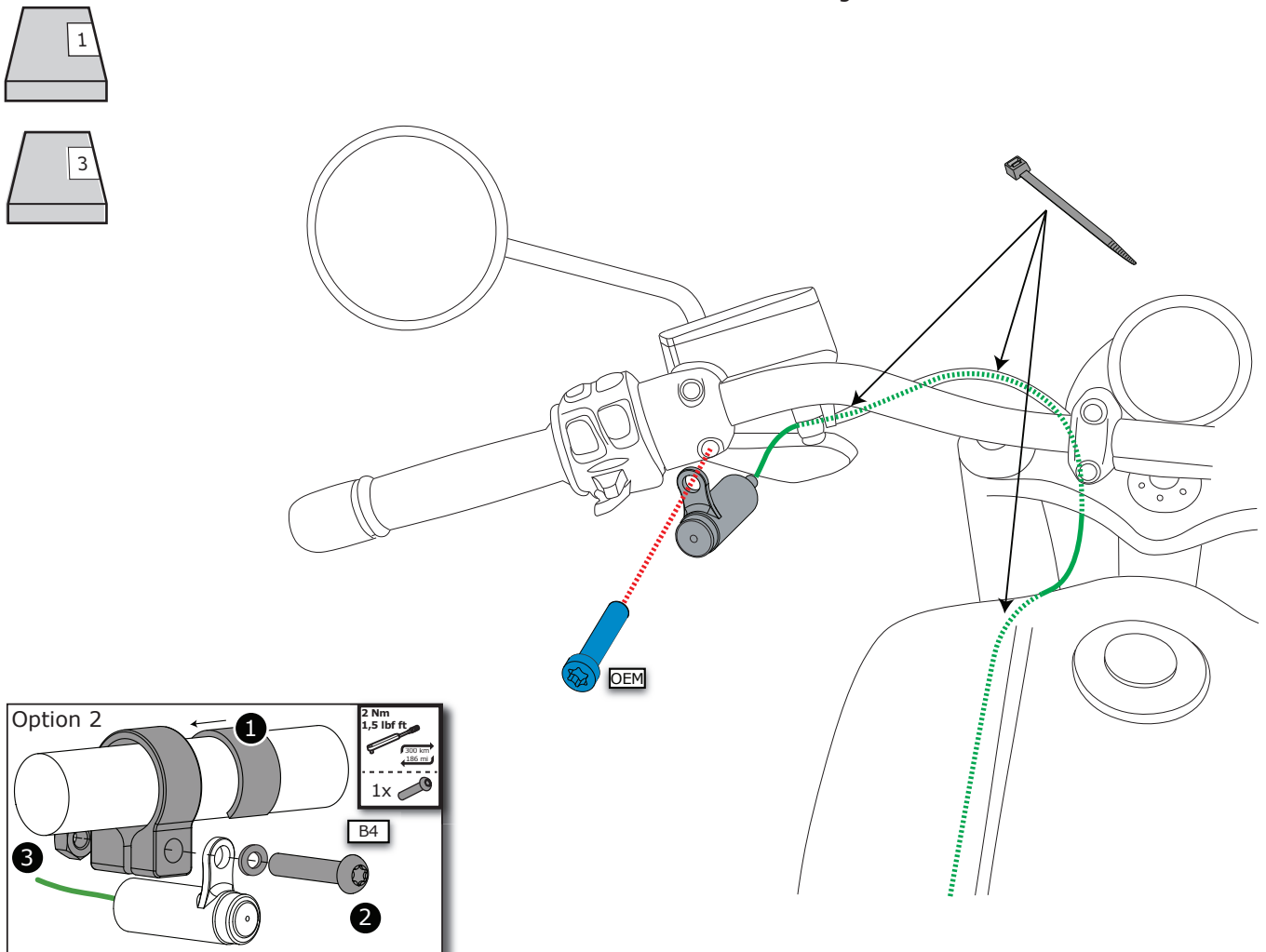
8

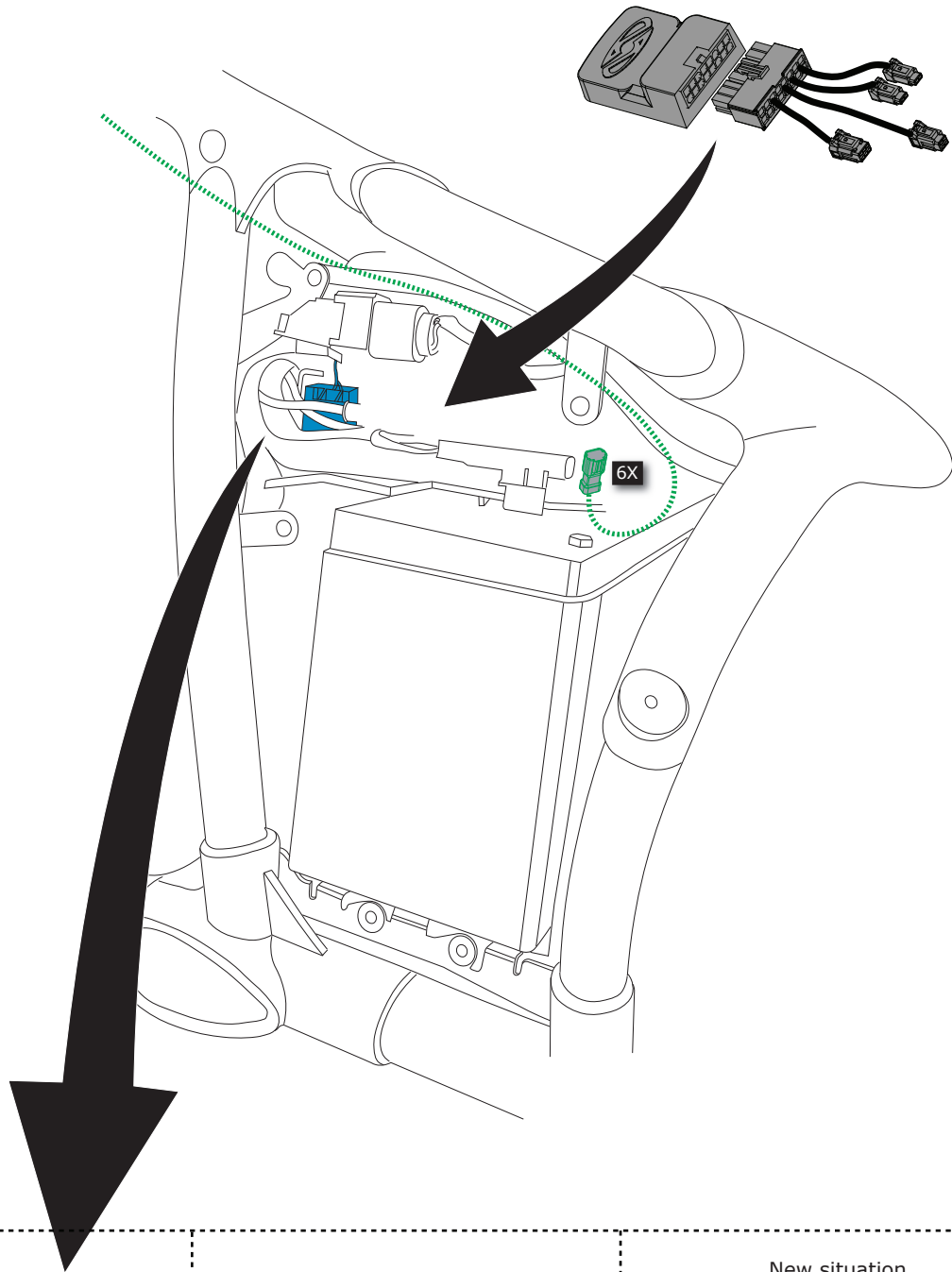
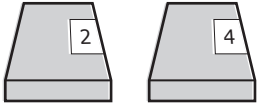
1-by-1: loosen OEM bolt, apply threadlocker, reinstall and tighten bolt



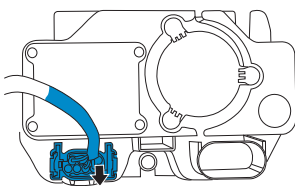
9

Install modeswitch & cable routing

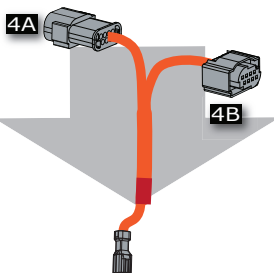




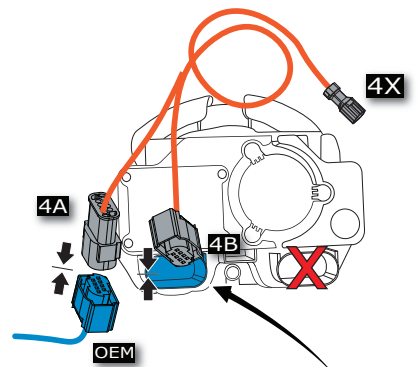
Current situation



Connect control cable



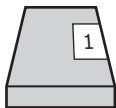
New situation



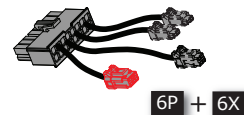
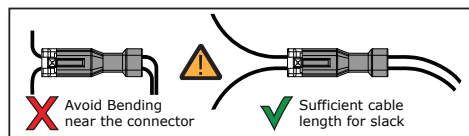
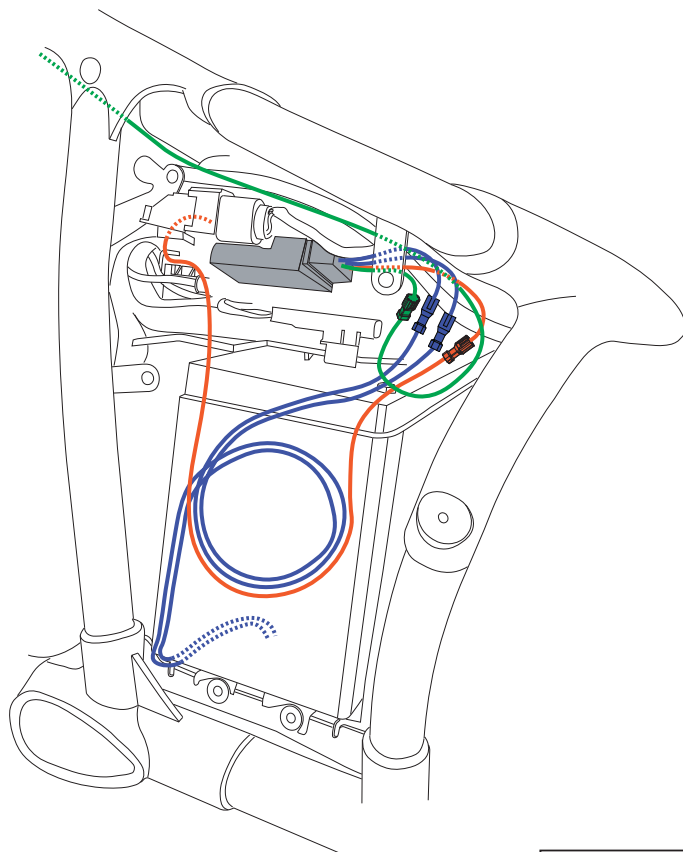
Always connect **4B**

11

Cable routing & connecting smartbox

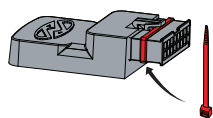


TR 3x



12

Complete System Check!



Reminder:
Tighten all bolts & nuts

