



SN.

Dr. Jekyll & Mr. Hyde®

THE EXHAUST

MANUAL : BMW® | SMARTBOX 2

**NEW IN THIS MANUAL:
- THREADLOCKER ADDED**

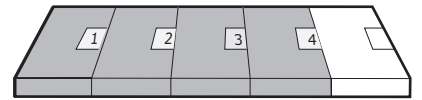


R18
2020->

Instruction video



1 BMW R18 - Beat Long Smartbox 2



1 Assembly Kit

- PC 2x
- BR 1x
- W1 9x
- B1 1x
- B2 8x
- TR 16x
- N1 8x

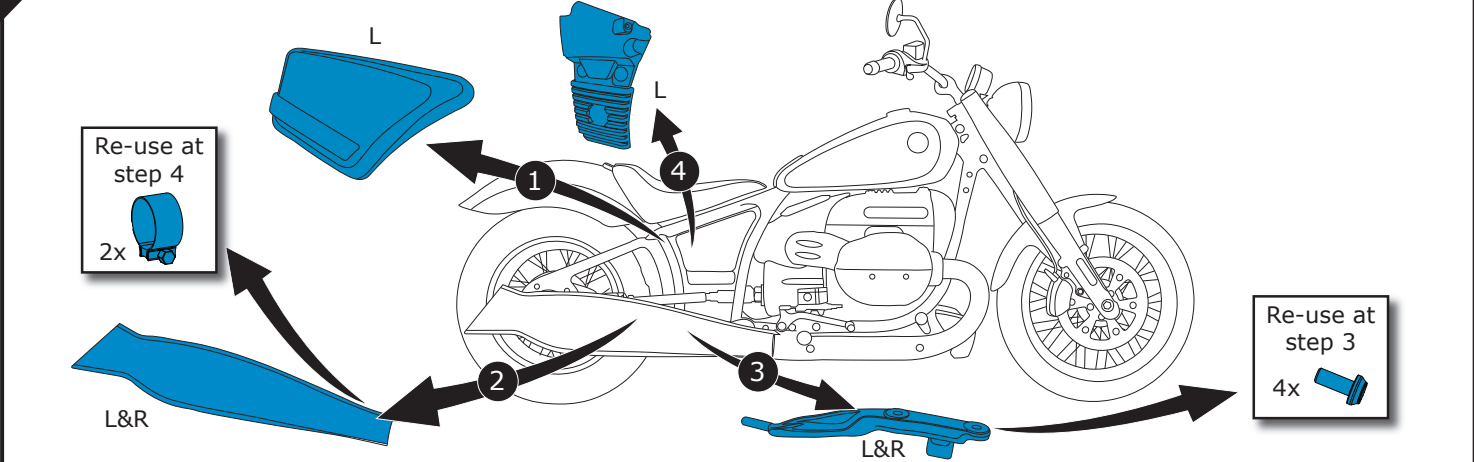
2 Smartbox 2

3 Mode Switch for Smartbox

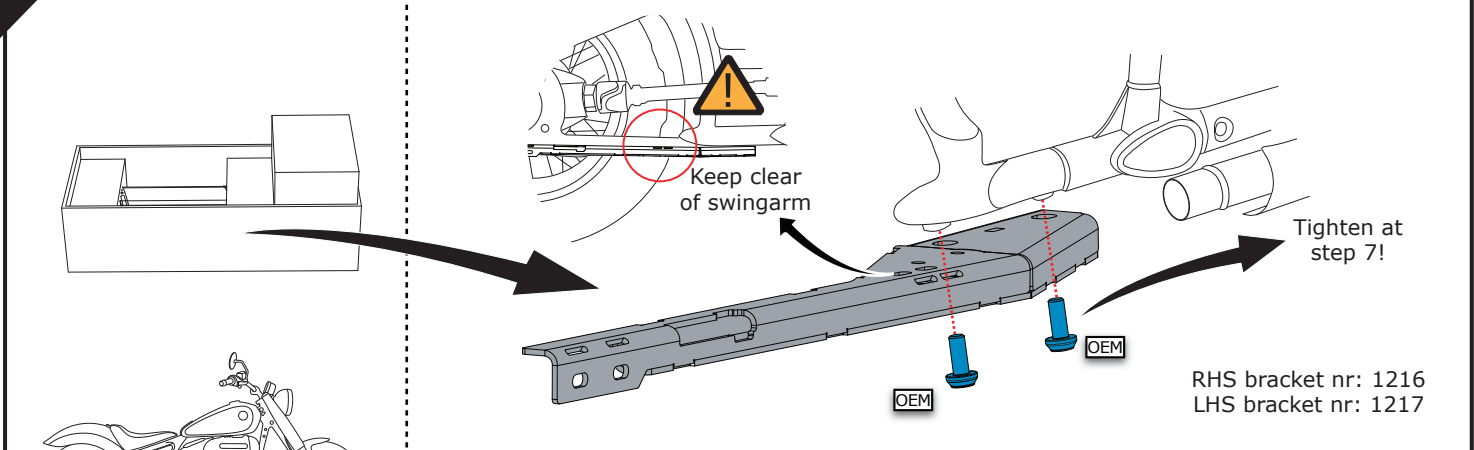
4 Smartbox Control Cable

Exhaust/Cable /Servo System

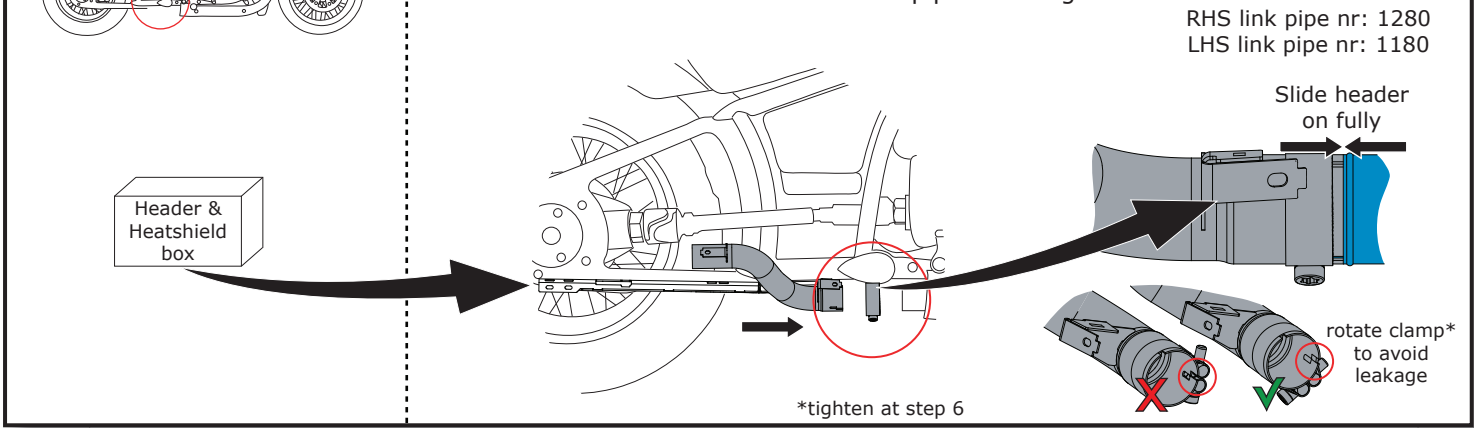
2 ⚠ OEM components may vary per R18 model



3 Install bracket left & right

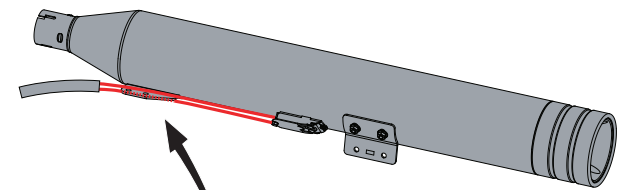


Install link pipe left & right

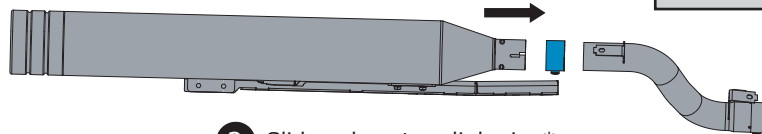
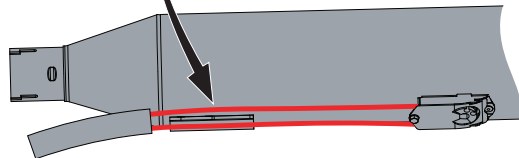


4

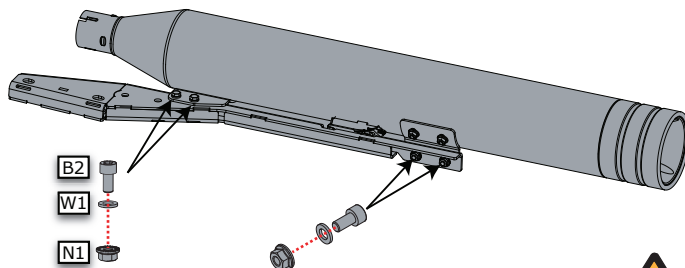
Install exhausts left & right



1 Position servo cables as shown:
upper cable above bracket
lower cable below bracket



2 Slide exhaust on link pipe*



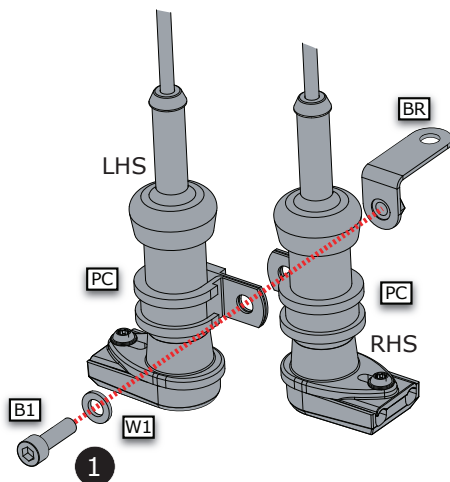
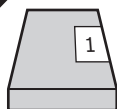
3 Bolt exhaust to bracket*



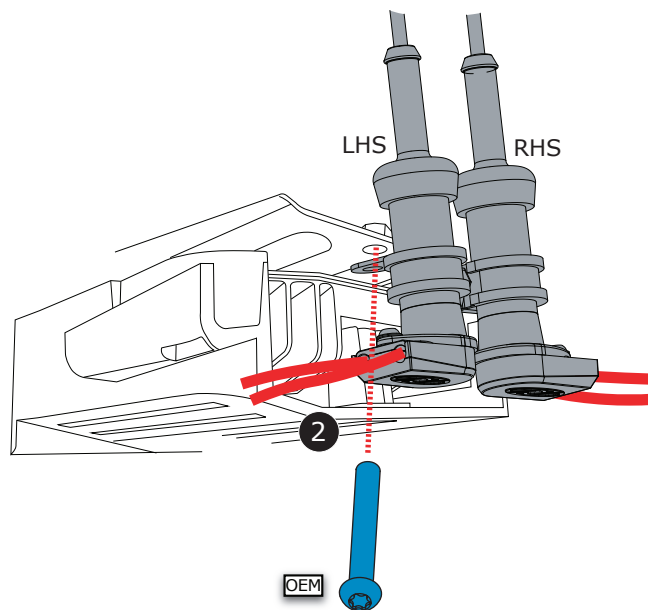
*Tighten bolts & clamps
at step 6

5

Servo motor positioning

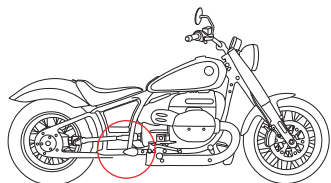


1

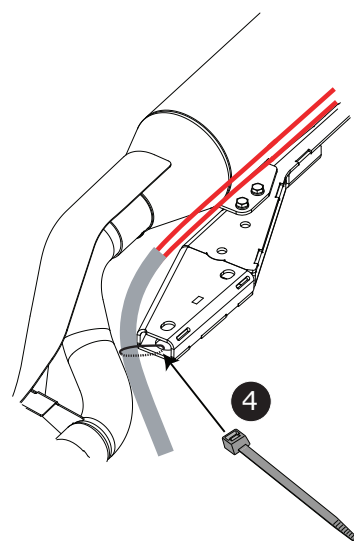


2

OEM



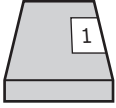
3



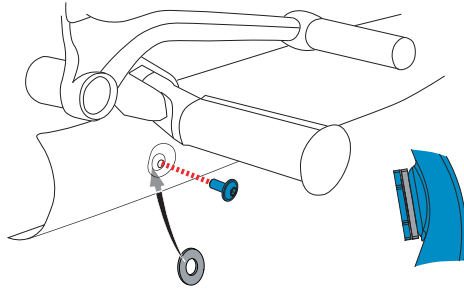
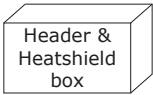
4

6

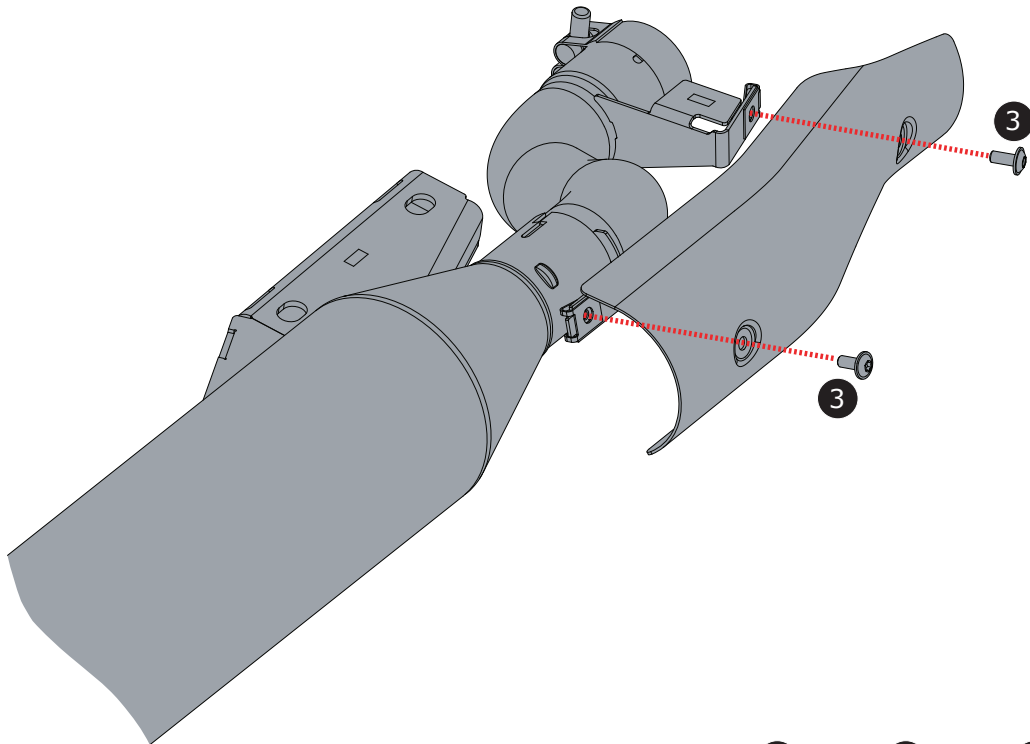
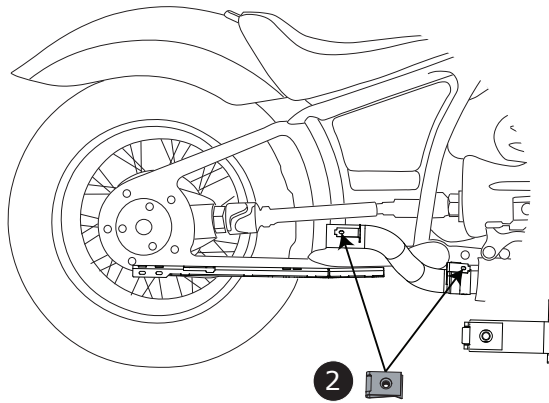
Install heat shields left & right



+



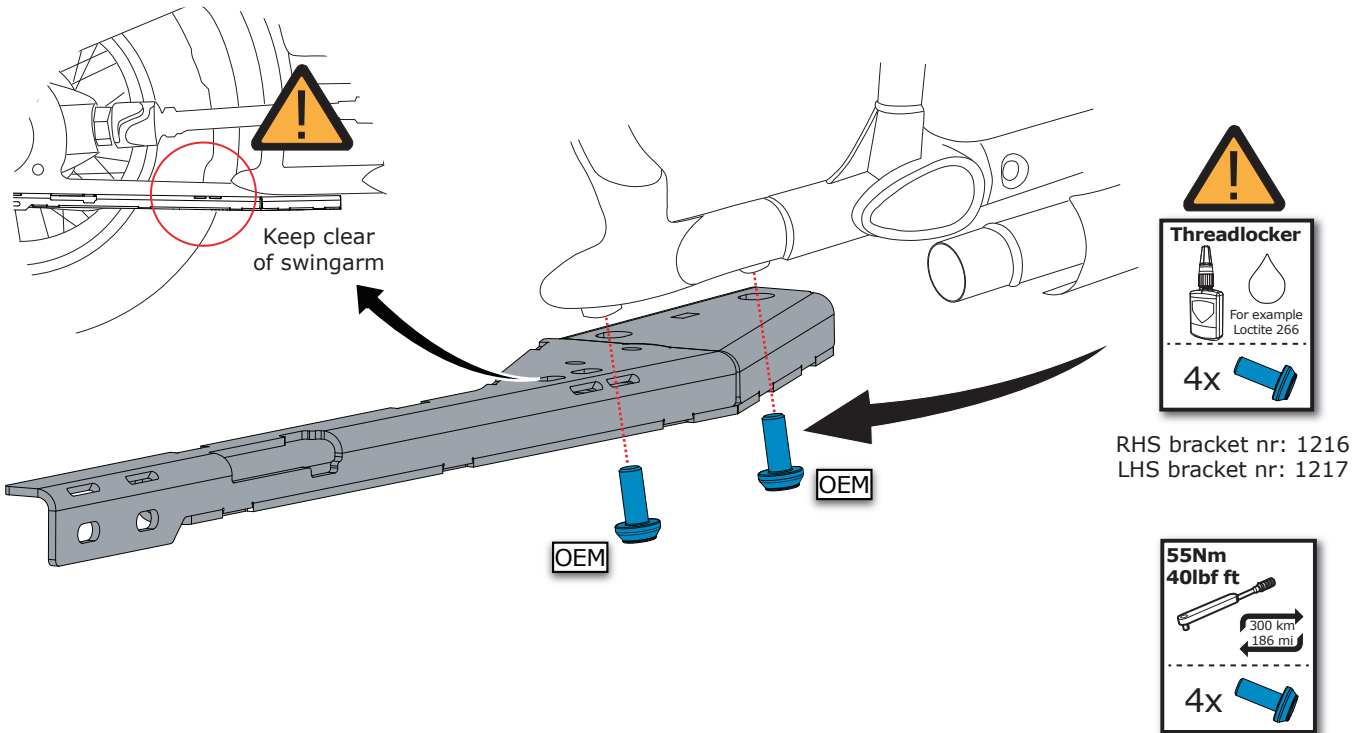
1 place thick washer behind OEM heatshield to improve position



- | | | | |
|----------------|------------------|------------------|-----------------|
| 7 | 6 | 5 | 4 |
| 6Nm
4lbf ft | 30Nm
22lbf ft | 30Nm
22lbf ft | 10Nm
7lbf ft |
| | | | |
| 4x | 2x | 2x | 8x |

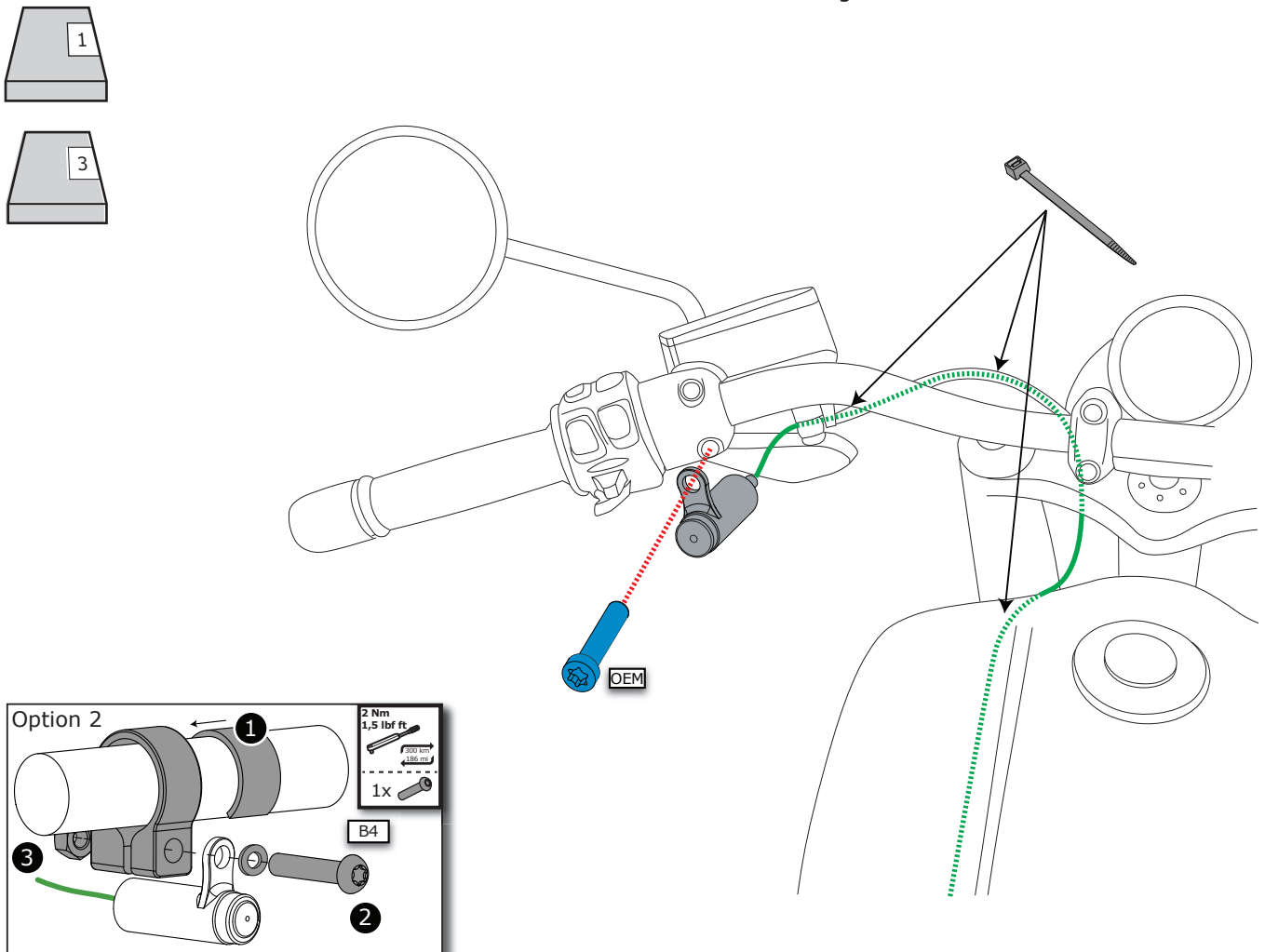
7

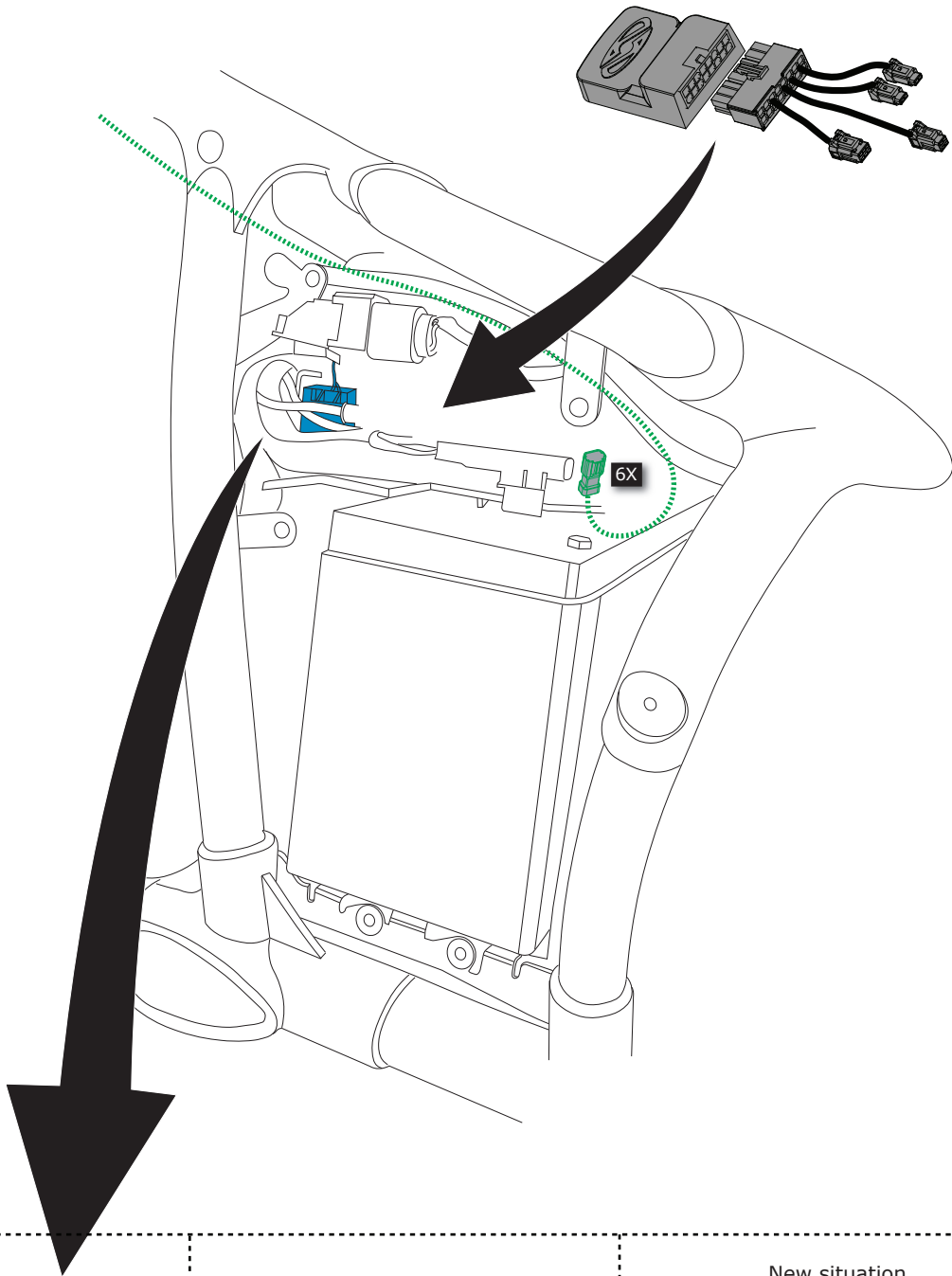
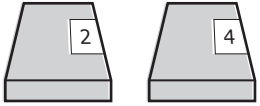
1-by-1: loosen OEM bolt, apply threadlocker, reinstall and tighten bolt



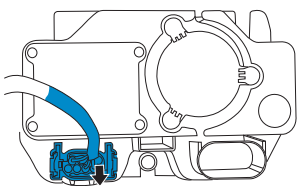
8

Install modeswitch & cable routing

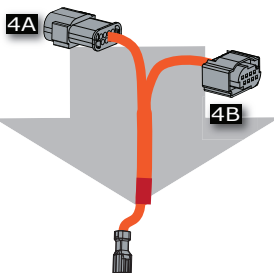




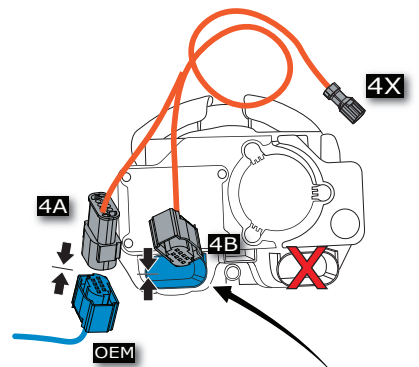
Current situation



Connect control cable

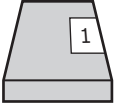


New situation

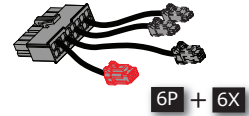
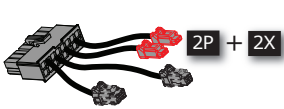
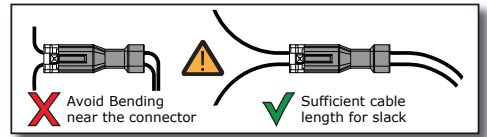
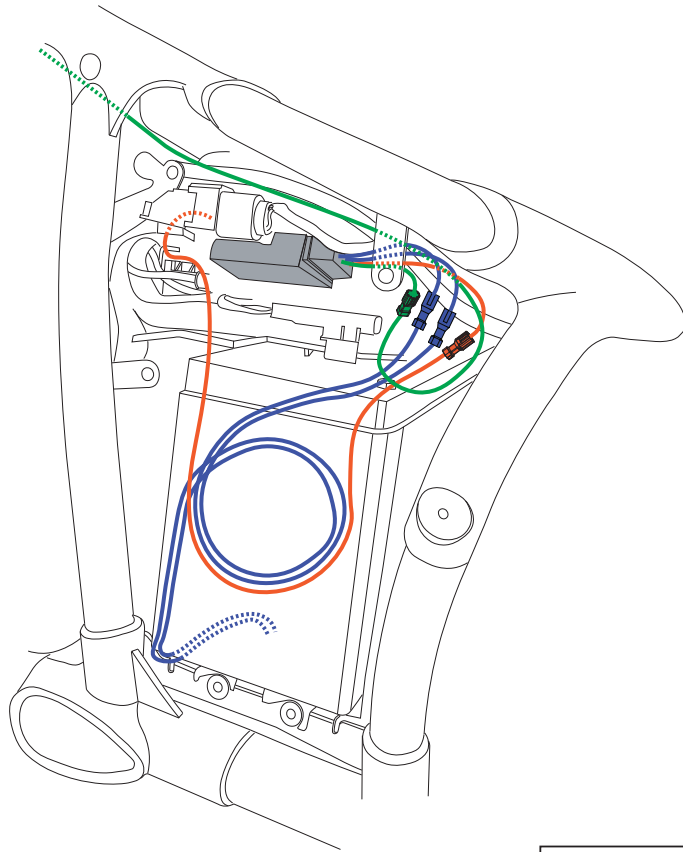


Always connect **4B**

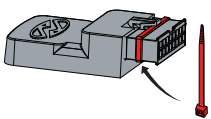
Cable routing & connecting smartbox



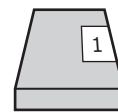
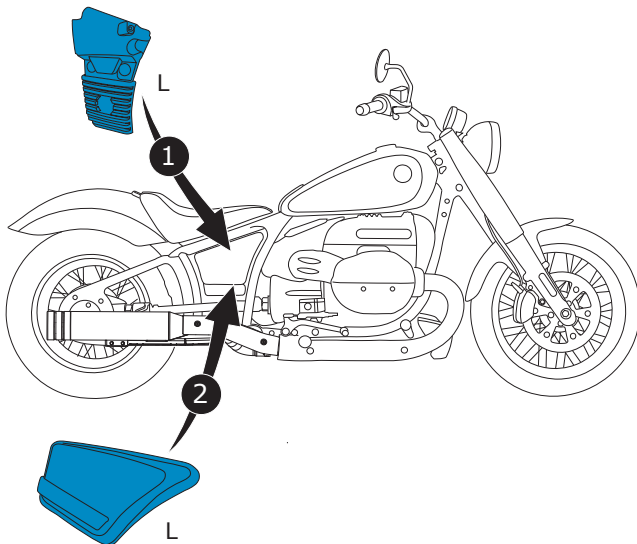
TR 3x



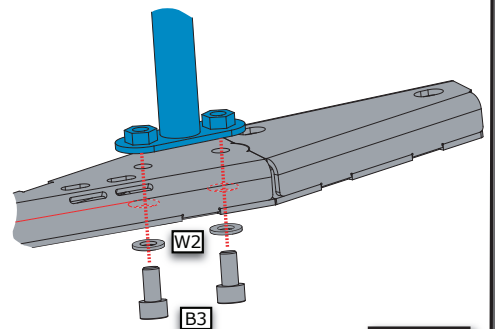
Complete System Check!



Reminder: Tighten all bolts & nuts

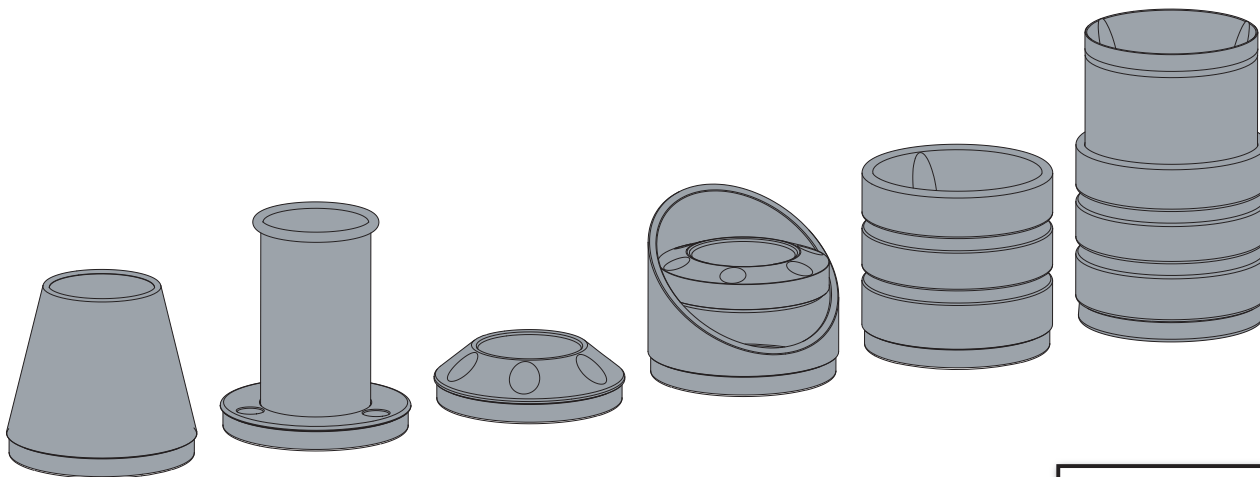


OEM hard case mounting possibility



End Cap Torque Tightening Manual

1




Check that the end cap screws are tight and **tighten** them if **necessary**:

- 300 km after the initial installation of the exhaust
- During every service interval

(applicable to all endcap models)

11Nm
8lbf ft



300 km
186 mi

6x 